

STEALTH[®] Web Metal Detector



KEY FEATURES:

- Detailed USB Data Collection
- Digital Signal Processing Technology
- Ultra Sensitive Detection
- AutoTest: Self Diagnostic Testing
- Easy "Fast" Calibration
- System Set-Up in Seconds
- Flash Memory Stability
- Multi-Level Password Protection

OVERVIEW:

Stealth Web metal detectors are custom manufactured to inspect products typically sheeted or continuous web. Stealth web detectors are ruggedly built to ensure product integrity and provide machine protection against metal fragments. The Stealth uses digital signal processing technology and has high sensitivity levels to ensure the detection of the smallest ferrous, non-ferrous and stainless steel contaminants. Improve product quality and anticipate upline equipment failures, before becoming catastrophic.

THE FORTRESS ADVANTAGE:

- **"Never Obsolete"** Commitment: detectors are always supported with parts and services
- Standard electronics configuration across product line allowing easy support and trouble shooting
- Modular design; have fewer components
- Custom built detectors or stock sizes
- **Simple Operation, Outstanding Reliability, Exceptional Performance**

APPLICATIONS:

- Carpet
- Textiles
- Paper
- Box Board
- Plastics
- Rubber
- Sheeted Wood

Don't See Your Application? Please Contact Us!

AVAILABLE ADD-ONS:

- Contact Communication Software
- Halo Automatic Testing System

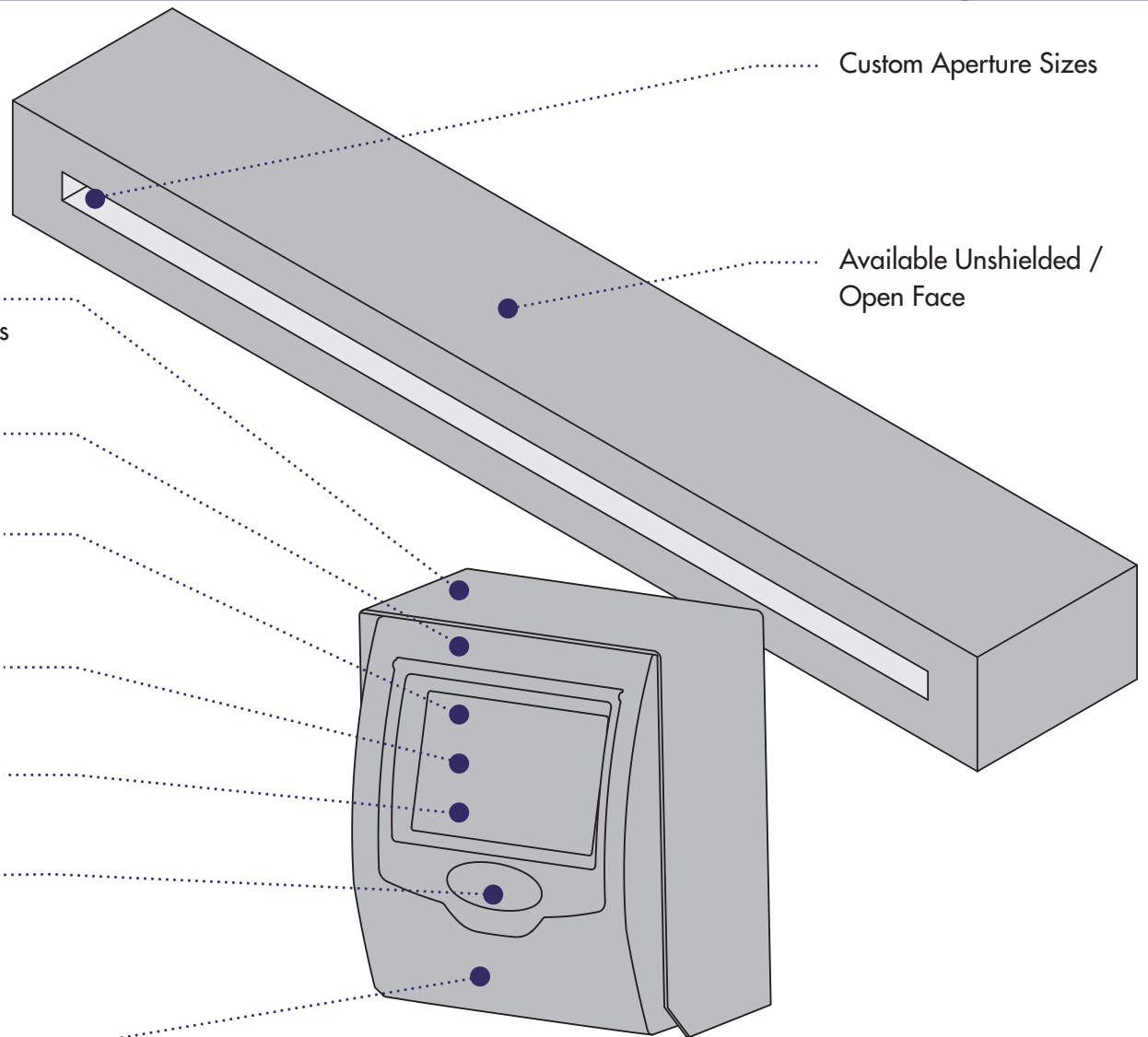
Fortress Technology Inc.
51 Grand Marshall Dr,
Toronto, ON, M1B 5N6
Canada
Tel: 1-888-220-8737
sales@fortresstechnology.com

Fortress Technology (Europe) Ltd.
Stealth House, Unit 6, Network 11,
Thorpe way, Banbury, Oxon
OX16 4XS, United Kingdom.
Tel: +44 (0) 1295 256 266
sales-UK@fortresstechnology.com

Fortress Technology Sistemas de Inspeção Ltda.
Danilo Valbuza , 517 - Laranjeiras,
Caieiras , São Paulo
07747-300, Brazil.
Fone: 55-11-3641-6153
vendas@fortress-iis.com.br

FORTRESS[®]
TECHNOLOGY
www.FortressTechnology.com

STEALTH[®] Web Metal Detector



Product Library Stores
Multiple Product Settings
for Easy Recall

Multi-Level Password
Protection

User-Friendly
Multi-Language Control
Panel Interface

Auto-balance and
Ultra-sensitivity levels

Automatic QA Testing
and Calibration

USB Port for Access to
QA Reports,
Configuration and
Firmware Updates

Powerful Digital Signal
Processing (DSP) Technology

Custom Aperture Sizes

Available Unshielded /
Open Face

DETECTOR OPTIONS & SPECIFICATIONS:

| | |
|------------------------|--|
| Construction | Aluminum epoxy painted |
| MultiScan Detection | Multiple scanning sections for optimal detection in very wide applications |
| Reject Systems | Multiple programmable reject and fault outputs contacts |
| Aperture Lining | Dry liner for wipe down applications or Epoxy for high moisture |
| Ingress Protection | Nema 12 / IP52 for dry application |
| Remote Mounting | Display panel terminal can be mounted remotely (Up to 4,000 ft / 1,200 m) |
| Electrical | 100-240v Single phase, 1amp, 50-60Hz |
| Network Communications | Ethernet via Contact Communications Software, Ethernet/IP, OPC UA |

Simple Operation. Outstanding Reliability. Exceptional Performance.



Copyright © 2018 Fortress Technology Inc. All rights reserved. Patent Pending. The information, designs and artwork contained in this document are confidential and may not be disseminated, distributed or copied without written consent from Fortress Technology Inc. Specifications, designs, features and technology subject to change without notice.