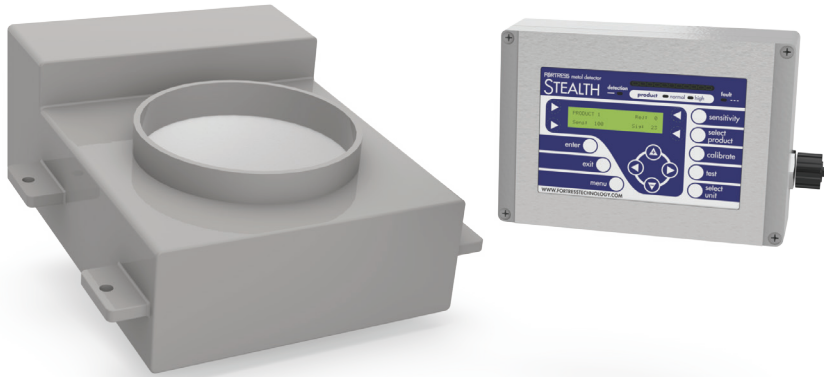


STEALTH[®] Vertex Metal Detector



KEY FEATURES:

- Contact Reporter Software Included
- Detailed USB Data Collection
- Digital Signal Processing Technology
- Ultra Sensitive Detection
- AutoTest: Self Diagnostic Testing
- Easy "Fast" Calibration
- System Set-Up in Seconds
- Flash Memory Stability
- Multi-Level Password Protection

APPLICATIONS:

- Potato/Tortilla Chips
- Snack Foods
- Popcorn
- Cereals
- Powders/Grains
- Corn
- Sugar
- Confectionery
- Plastics
- Nuts
- Flour
- Rice

Don't See Your Application? Please Contact Us!

AVAILABLE OPTIONS:

- Multiple Detector Control
- **HALO** Automatic Testing System
- Contact Communication Software



OVERVIEW:

Stealth Vertex metal detectors are custom manufactured to suit any inline processing application where space is limited. The ultra-slim Vertex detects metal contaminants in free-falling product prior to final packaging. The Stealth uses digital signal processing technology and has high sensitivity levels to ensure the detection of the smallest ferrous, non-ferrous and stainless steel contaminants. The built-in data collection software with USB data transfer establishes the Stealth as an effective critical control point complying with stringent HACCP regulations.

THE FORTRESS ADVANTAGE:

- **"Never Obsolete"** Commitment: detectors are always supported with parts and services
- Standard electronics configuration across product line allowing easy support and trouble shooting
- Modular design; have fewer components
- Custom built detectors or stock sizes
- **Simple Operation, Outstanding Reliability, Exceptional Performance**

Fortress Technology Inc.
51 Grand Marshall Dr,
Toronto, ON, M1B 5N6
Canada

Tel: 1-888-220-8737

sales@fortresstechnology.com

Fortress Technology (Europe) Ltd.
Stealth House, Unit 6, Network 11,
Thorpe way, Banbury, Oxon
OX16 4XS, United Kingdom.

Tel: +44 (0) 1295 256 266

sales-UK@fortresstechnology.com

Fortress Technology Sistemas de Inspeção Ltda.
Danilo Valbuza, 517 - Laranjeiras,
Caieiras, São Paulo
07747-300, Brazil.

Fone: 55-11-3641-6153

vendas@fortress-iis.com.br

FORTRESS[®]
TECHNOLOGY

www.FortressTechnology.com

STEALTH[®] Vertex Metal Detector



Portable Control Panel Remotely Mounted

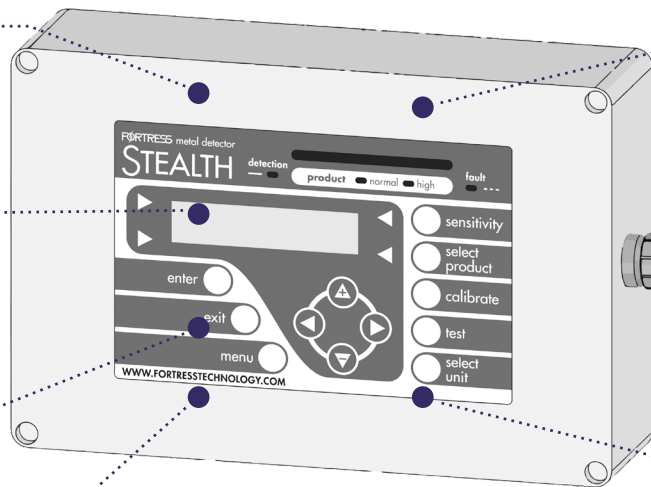
Powerful Digital Signal Processing (DSP) Technology

Product Library Stores Multiple Product Settings for Easy Recall

Multi-Level Password Protection

Sleek Modular Design for greater reliability

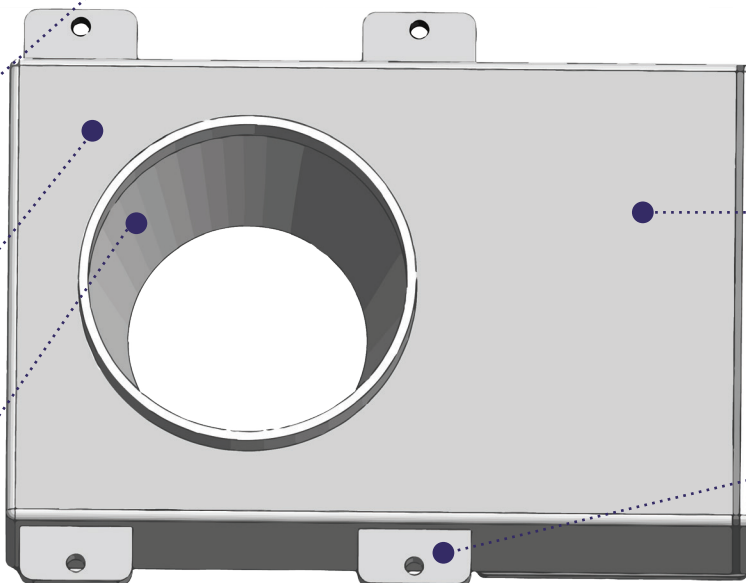
Custom Aperture Diameters or Stock Sizes (6.5", 8.5")



User-Friendly Multi-Language Control Panel Interface

USB Port for access to QA Reports, Configuration and Firmware Updates

Automatic QA Testing and Calibration



Dual Power / Frequency with Auto-balance and Ultra-sensitivity levels

Compatible Mounting for use with Weighing and Sealing Machines

DETECTOR OPTIONS & SPECIFICATIONS:

| | |
|------------------------|--|
| Detector Mounting | Fixed, Pivot or Slide Out |
| Reject | Output interlocks to Bagging / Weighing / Sealing Machine |
| Construction | Aluminum epoxy painted or Stainless Steel |
| Rating | Aluminum: Nema 4 / IP65 or Stainless Steel: Nema 4X / IP69K |
| Remote Mounting | Display panel terminal mounted remotely (Up to 4,000ft / 1,200m) |
| Network Communications | RS485, Ethernet / Wireless via Contact Communications Software |
| Electrical | 100-240v Single phase, 1amp, 50-60Hz |
| Support Frame | Custom Designed for easy installation and maintenance |

Simple Operation. Outstanding Reliability. Exceptional Performance.



Copyright © 2018 Fortress Technology Inc. All rights reserved. Patent Pending. The information, designs and artwork contained in this document are confidential and may not be disseminated, distributed or copied without written consent from Fortress Technology Inc. Specifications, designs, features and technology subject to change without notice.