

STEALTH[®] Multi Aperture Metal Detector



OVERVIEW:

A compact system that fulfills all performance specifications and cuts the equipment footprint by over 50%, optimizing factory floor space. The unit also sharpens operational efficiencies reducing investment costs.

Featuring a single metal detector mounted across multiple food packing and processing conveyor lines, this bespoke unit is uniquely divided into individual apertures, setting a new industry standard for performance. Because there's a dedicated aperture for each lane, the range is more sensitive to smaller metal particles, detecting ferrous, non-ferrous and stainless steel metal. In addition, this smaller aperture copes better with orientation and product effect.

THE FORTRESS ADVANTAGE:

- **"Never Obsolete"** Commitment: detectors are always supported with parts and services
- Standard electronics configuration across product line allowing easy support and trouble shooting
- Modular design; have fewer components
- Custom built detectors or stock sizes
- **Simple Operation, Outstanding Reliability, Exceptional Performance**

KEY FEATURES:

- Detailed Data Collection
- Digital Signal Processing Technology
- Ultra Sensitive Detection
- Auto Test: Self Diagnostic Testing
- Automatic Calibration
- System Set-up in Seconds
- Flash Memory Stability
- Retailer Specifications

APPLICATIONS:

- Bakery
- Meats
- Dairy
- Prepared Meals
- Packaged Products
- Pharmaceutical
- Nutraceutical
- Confectionery
- Fresh Foods
- Frozen Foods

Don't See Your Application? Please Contact Us!

AVAILABLE OPTIONS:

- BSH Rugged Casing for Harsh Environments



- Integrated Vector Conveyor Systems



Fortress Technology Inc.
51 Grand Marshall Dr,
Toronto, ON, M1B 5N6
Canada

Tel: 1-888-220-8737

sales@fortresstechnology.com

Fortress Technology (Europe) Ltd.
Stealth House, Unit 6, Network 11,
Thorpe way, Banbury, Oxon
OX16 4XS, United Kingdom.

Tel: +44 (0) 1295 256 266

sales-UK@fortresstechnology.com

Fortress Technology Sistemas de Inspeção Ltda.
Danilo Valbuza, 517 - Laranjeiras,
Caieiras, São Paulo
07747-300, Brazil.

Fone: 55-11-3641-6153

vendas@fortress-iis.com.br

FORTRESS[®]
TECHNOLOGY

www.fortresstechnology.com

STEALTH[®] Multi Aperture Metal Detector



Powerful Digital Signal Processing (DSP) Technology

Product Library Stores Multiple Product Settings for Easy Recall

Multi-Level Password Protection

User Friendly Multi Language Control Panel Interface

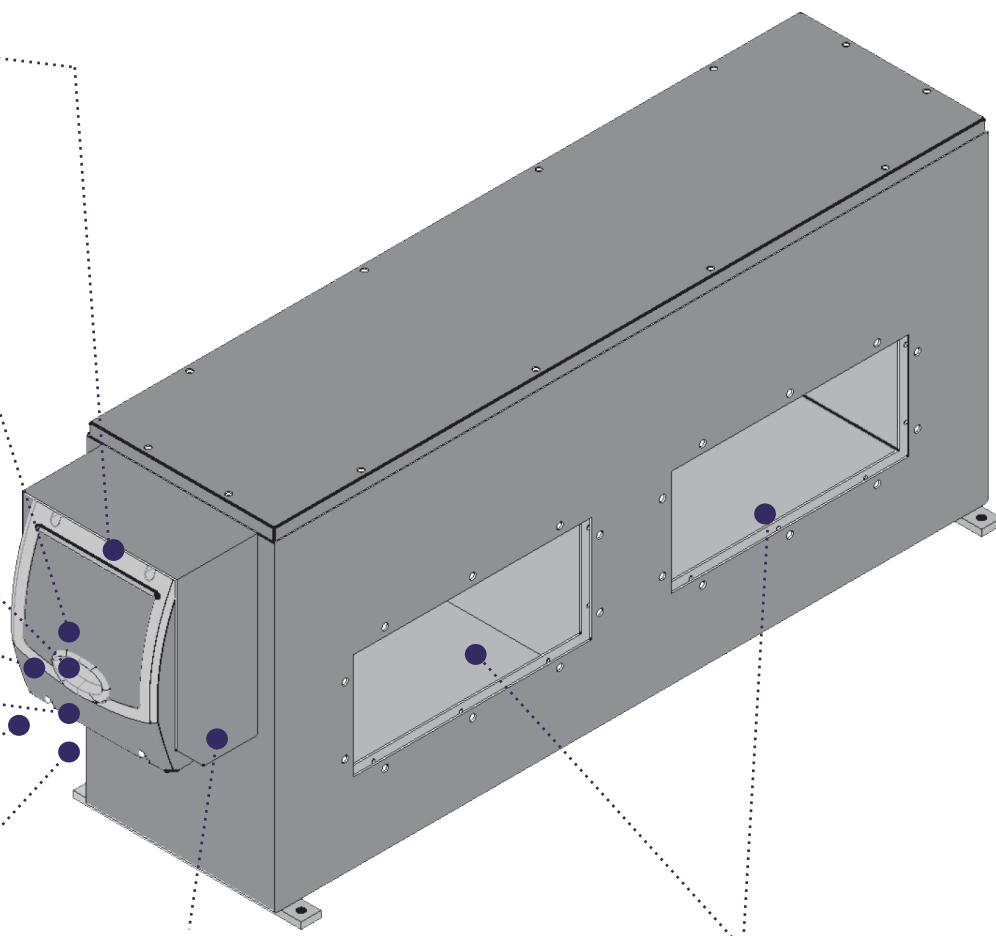
Dual Power / Frequency with Auto Balance and Ultra Sensitivity Levels

Automatic QA Testing and Calibration

USB Port for Access to QA Reports, Configuration and Firmware Updates

Sleek Modular Design for Greater Reliability

Apertures Customised to Suit Application



DETECTOR OPTIONS & SPECIFICATIONS:

Construction	Aluminum epoxy painted or Stainless Steel
BSH Extra-Rugged Casing	Vibration immunity and stability in heavy duty applications and harsh environments
Aperture Lining	Epoxy resin for heavy wash down or dry liner for wipe down applications
Rating	Aluminum: Nema 4 / IP65 or Stainless Steel: Nema 4X / IP69K
Remote Mounting	Display panel terminal can be mounted remotely (Up to 4,000ft / 1,200m)
Network Communications	Ethernet / Wireless via Contact Communications Software
Electrical	100-240v Single phase, 1 amp, 50-60Hz

Simple Operation. Outstanding Reliability. Exceptional Performance.



Copyright © 2018 Fortress Technology Inc. All rights reserved. Patent Pending. The information, designs and artwork contained in this document are confidential and may not be disseminated, distributed or copied without written consent from Fortress Technology Inc. Specifications, designs, features and technology subject to change without notice.