

STEALTH[®] Laboratory/QA Metal Detector



OVERVIEW:

Stealth metal detectors are custom manufactured to suit any application. Stealth detectors use digital signal processing technology and have high sensitivity levels to ensure the detection of the smallest ferrous, non-ferrous and stainless steel contaminants. The built-in data collection software with USB data transfer establishes the Stealth as an effective critical control point complying with stringent HACCP regulations and auditor requirements.

THE FORTRESS ADVANTAGE:

- **"Never Obsolete"** Commitment: detectors are always supported with parts and services
- Standard electronics configuration across product line allowing easy support and trouble shooting
- Modular design; have fewer components
- Custom built detectors or stock sizes
- **Simple Operation, Outstanding Reliability, Exceptional Performance**

KEY FEATURES:

- Contact Reporter Software Included
- Detailed USB Data Collection
- Digital Signal Processing Technology
- Ultra Sensitive Detection
- AutoTest: Self Diagnostic Testing
- Easy "Fast" Calibration
- FDA Approved Anti-Static Product Tube
- Flash Memory Stability
- Multi-Level Password Protection
- Flap Gate Pneumatic Rejection
- Color Coded Sorting Bins Included
- USB Updatable Firmware

APPLICATIONS:

- Offline Product Examination
- Quality Assurance
- Bulk Product Inspection
- Closely Examine Product for Contaminants to Determine Source
- Often Used in Conjunction with Inline Fortress Metal Detectors

Don't See Your Application? Please Contact Us!

AVAILABLE ADD-ONS:

- HALO Automatic Testing System
- Tabletop Lab Configuration

Fortress Technology Inc.
51 Grand Marshall Dr,
Toronto, ON, M1B 5N6
Canada

Tel: 1-888-220-8737

sales@fortresstechnology.com

Fortress Technology (Europe) Ltd.
Stealth House, Unit 6, Network 11,
Thorpe way, Banbury, Oxon
OX16 4XS, United Kingdom.

Tel: +44 (0) 1295 256 266

sales-UK@fortresstechnology.com

Fortress Technology Sistemas de Inspeção Ltda.
Danilo Valbuza , 517 - Laranjeiras,
Caieiras , São Paulo
07747-300, Brazil.

Fone: 55-11-3641-6153

vendas@fortress-iis.com.br

FORTRESS[®]
TECHNOLOGY

www.FortressTechnology.com

STEALTH[®] Laboratory/QA Metal Detector

Powerful Digital Signal Processing (DSP) Technology

User-Friendly Multi-Language Control Panel Interface

Product Library Stores Multiple Product Settings for Easy Recall

Multi-Level Password Protection

USB Port for Access to QA Reports, Configuration and Firmware Updates

Dual Power with Auto-balance and Ultra-sensitivity levels

Portable Diagnostic Detector Plugs into 110v

Round Aperture

Alarms: Audible or Beacon

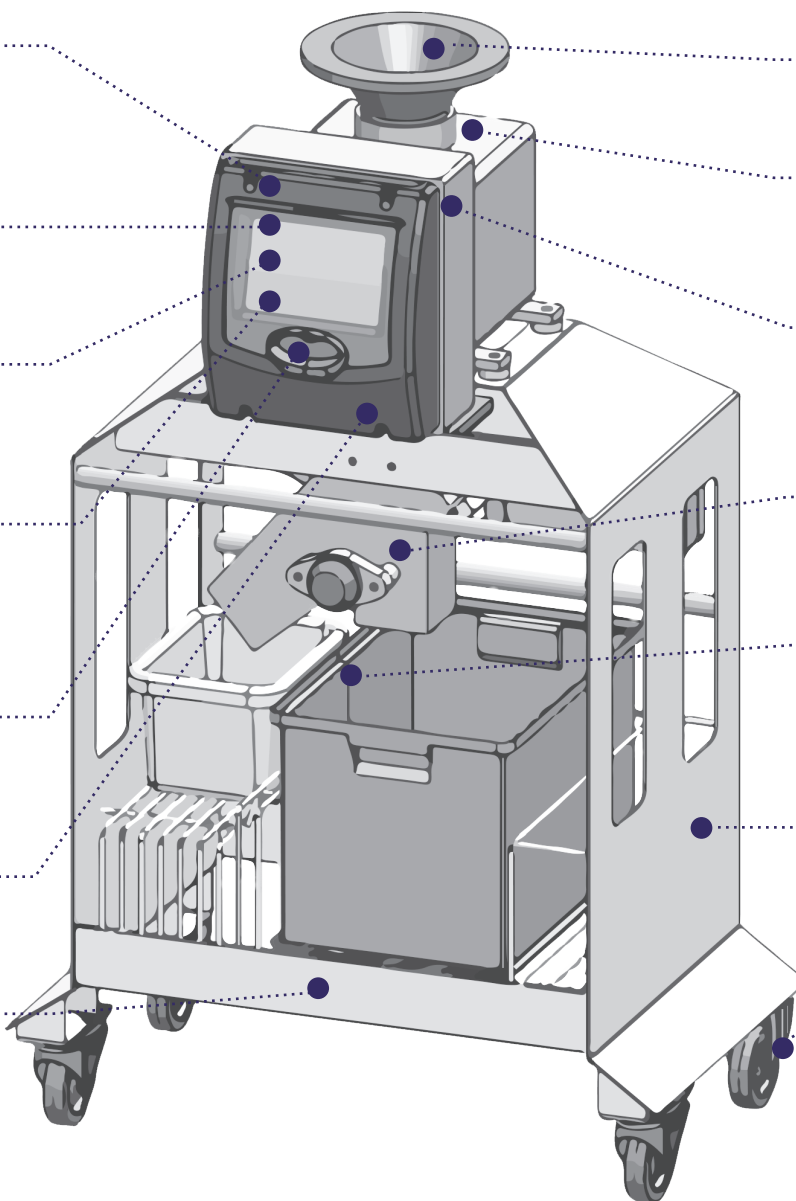
Automatic QA Testing and Calibration

Flap-Gate Reject System

Color Coded Sorting Bins Included

Stainless Steel Support Frame Included

Lockable Swivel Casters for Portability



DETECTOR OPTIONS & SPECIFICATIONS:

Construction	Aluminum epoxy painted or Stainless Steel
Valve	Stainless Steel 304 / 316 flap gate valve
Aperture / Pipe Diameter	4.3" Aperture Diameter, 3" Pipe Diameter
Ingress Protection Rating	IP65 (Upgrade to Nema 4X / IP69K)
Air Pressure	65-90psi (4-5bar)
Electrical	100-240v Single Phase, 1amp, 50-60Hz
Network Communications	Ethernet via Contact Software, Ethernet/IP, OPC UA

Simple Operation. Outstanding Reliability. Exceptional Performance.

FORTRESS[®]
TECHNOLOGY

Copyright © 2018 Fortress Technology Inc. All rights reserved. Patent Pending. The information, designs and artwork contained in this document are confidential and may not be disseminated, distributed or copied without written consent from Fortress Technology Inc. Specifications, designs, features and technology subject to change without notice.